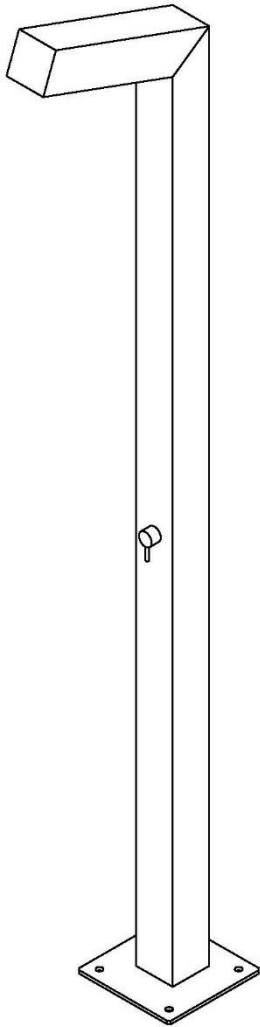


MINIMO Outdoor Shower

KORTA



Ordering Information:

Material:	Standard Decors:*	Supply Direction:	Additional Features:			
S	P	BF SF	SM	HC	LE	WT**
	SB FB					
C	SLS	BF SF	SM	HC	LE	WT**
	GWL					
	SNL					
	SL					
	GC					
	SM					

*For Custom Decors check the Catalogue or contact the sales representative

** Available for Ceramic material only

ORDERING INFORMATION

Material

- ❖ **S**, collection made of natural stone *Kanfanar* (*other stone type on request)
- ❖ **C**, collection made of of *The Marazzi* porcelain stoneware.

Standard Decors

Standard Decors available for **S** collection:

- ❖ **P** - Polished



- ❖ **SB** - Sandblasted & Brushed



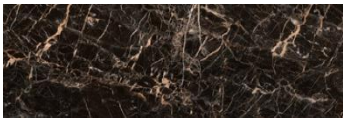
- ❖ **FB** - Flamed & Brushed



Standard Decors

Standard Decors available for **C** collection:

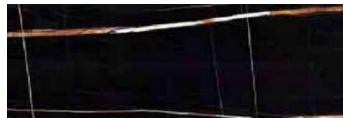
❖ **SLS** - Saint Laurent Satin



❖ **GWL** - Golden White Lux



❖ **SNL** - Sahara Noir Lux



❖ **SL** - Statuario Lux



❖ **GCS** - Grigio Carnico Satin



❖ **SM** - Smoke Natural/Matt

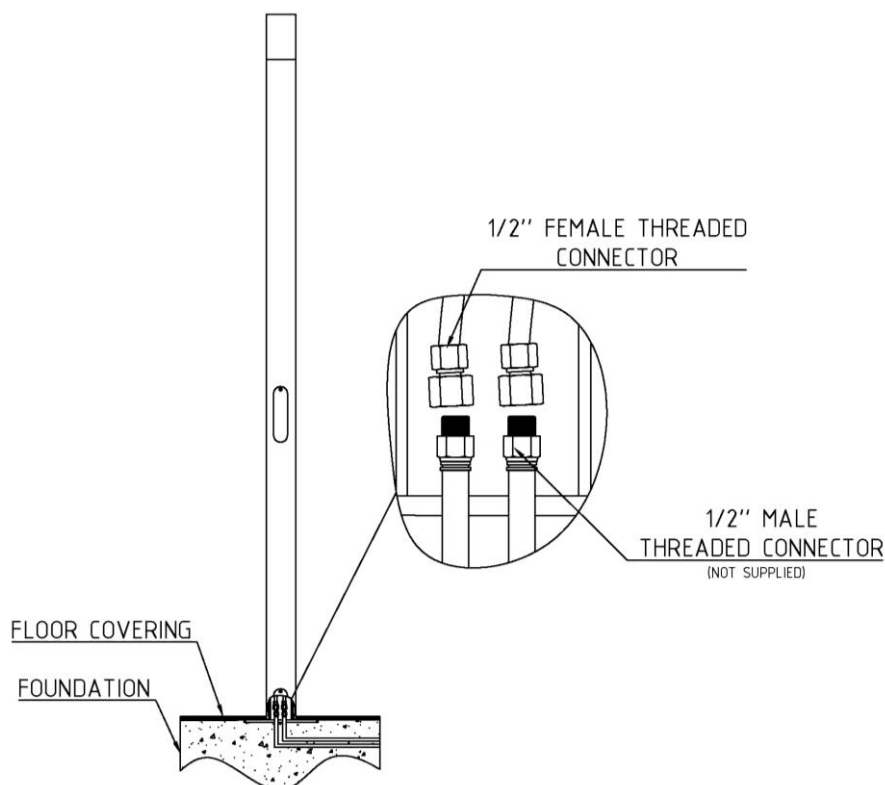


Supply Direction

Two options for shower installation:

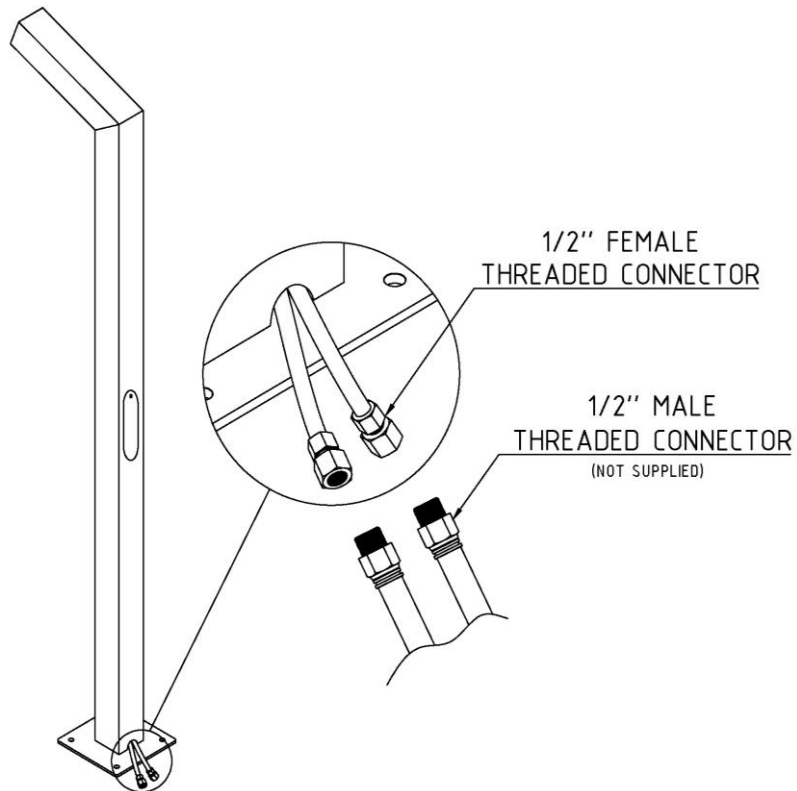
❖ Back Feed

- Underground supply installation prepared
- Necessary height of inlets and fitting connection type to be made according the provided Installation Instruction



❖ Side Feed

- Connection enabled outside shower body
- No underground preparation needed
- Corresponding fittings must be provided on the supply ends



For more details, please refer to ***Installation Instructions***.

Additional features

With each shower following additional features are possible:

- ❖ **MS** – Motion Sensor*
- ❖ **HC** - Anti-frost heating cable
- ❖ **LE** - Logo engraving
- ❖ **WT** - Solar heated 3,5 l / 0,8 gal water tank**

*On request if desired both cold and hot water

** Available for Ceramic material only

SPECIFICATION FEATURES**Shower System**

Consists of:

- ❖ 4 flexible stainless steel knitted hose ½''
- ❖ 2-way mixing mechanism with faucet and handle, showerhead
- ❖ The informed Nattura S shower catalyst with beneficial well-being effects

This basic system is subject to change depending on chosen additions.

Water Pressure

- ❖ Min = 2 bar ~ 29 PSI [lb/in²]
- ❖ Max = 4 bar ~ 58 PSI [lb/in²]

Operating Voltage

- ❖ 24VDC (If additional features are chosen)

Maintenance

Regularly clean with soft cloth.

Usage

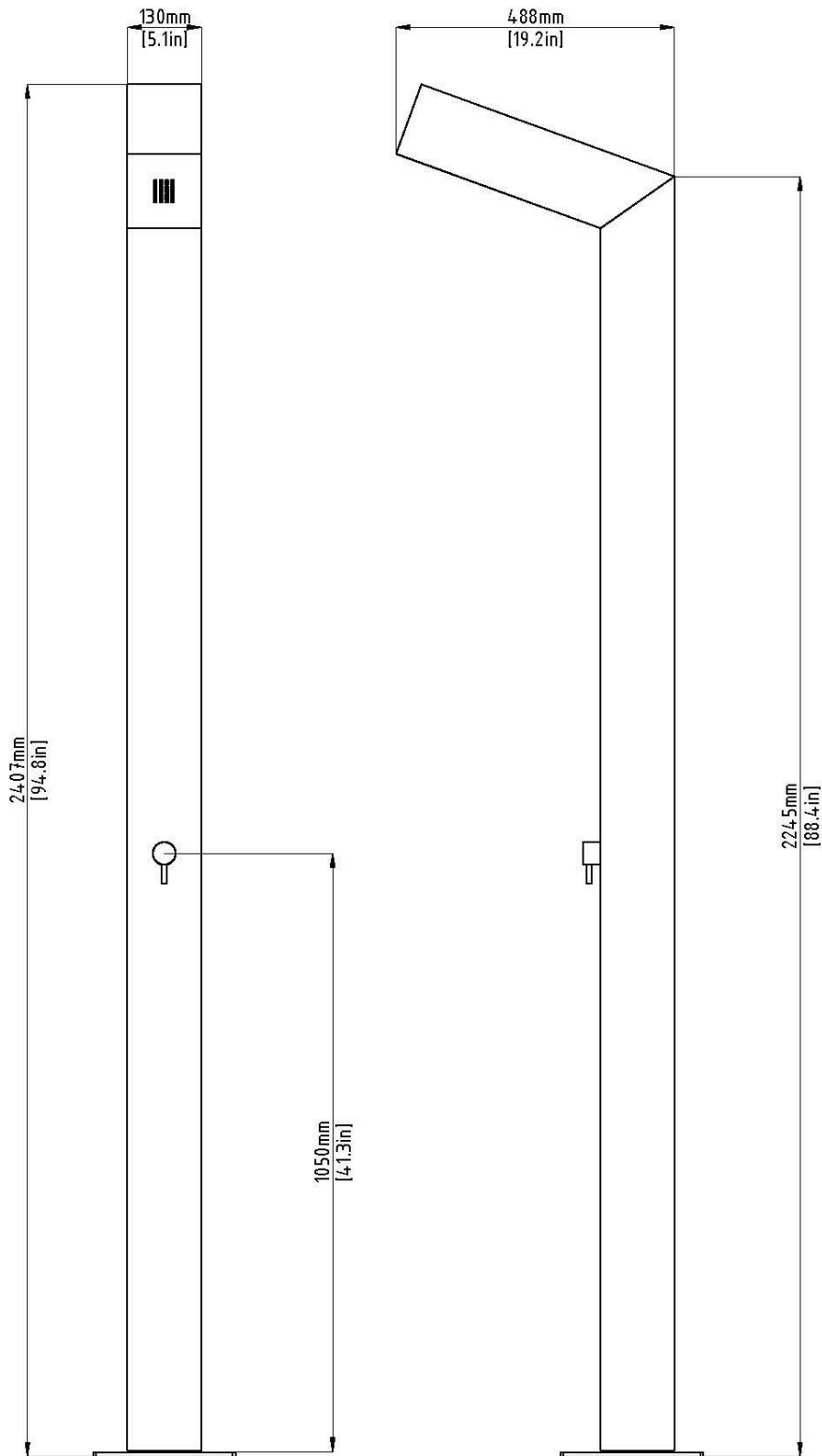
- ❖ Outdoor

Warranty

3 years warranty regarding defects in material and shower system.

PRODUCT DIMENSIONS AND WEIGHT

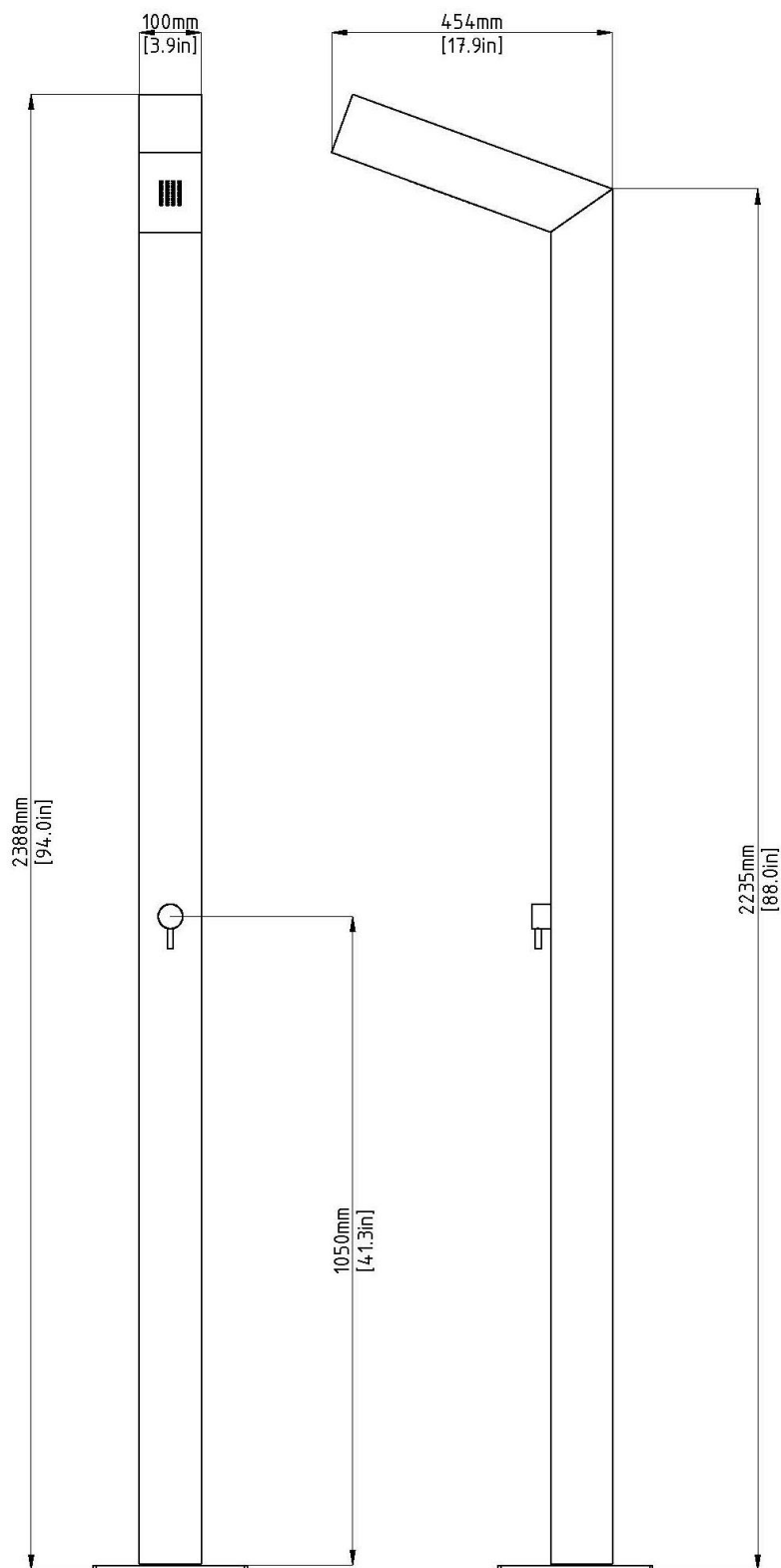
Stone



78kg / 172lbs

PRODUCT DIMENSIONS AND WEIGHT

Ceramic

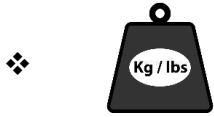


30kg / 66lbs

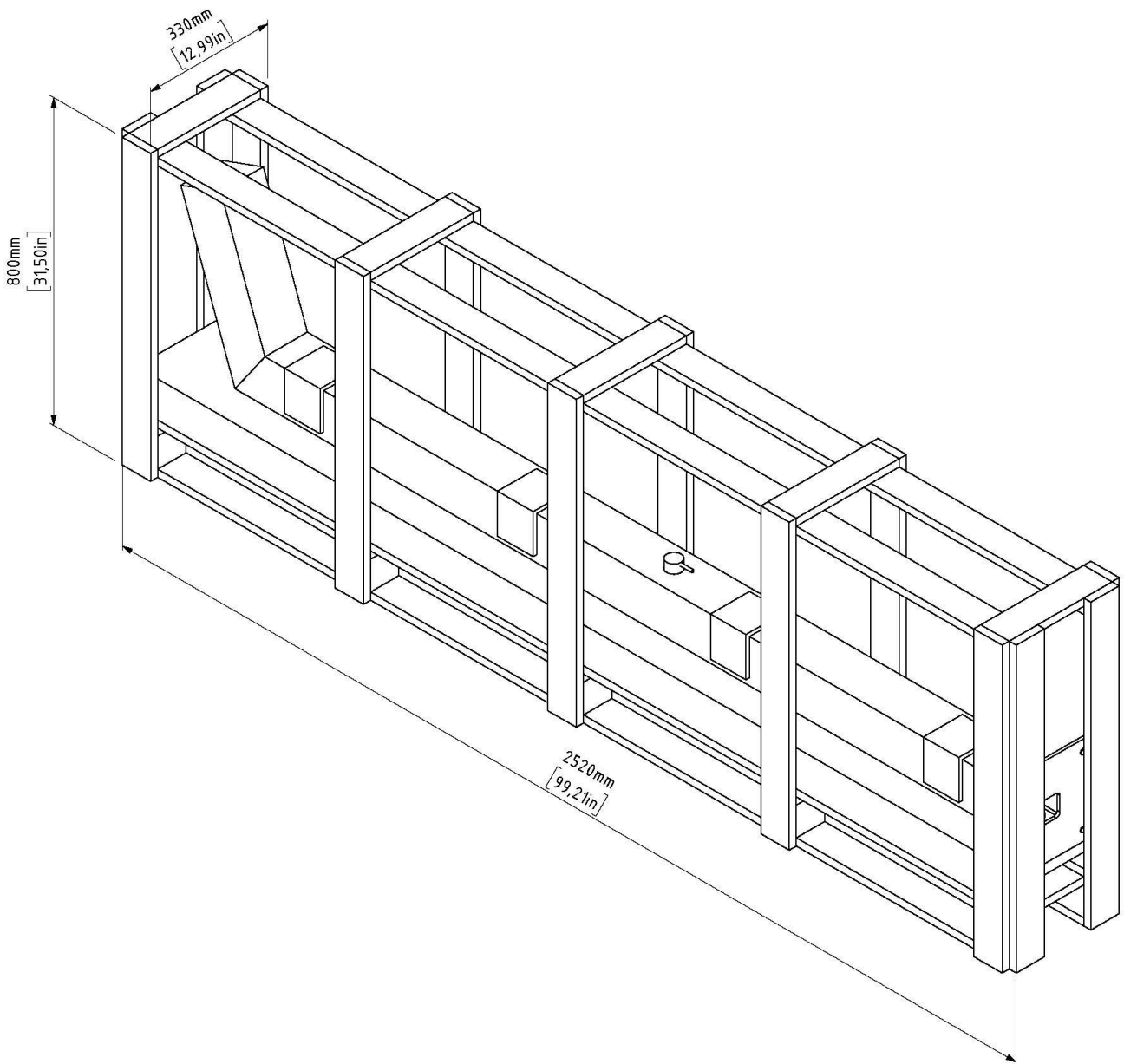
PACKAGING INFORMATION

Delivery Box Dimensions/Weight Stone

- ❖ 2520 x 800 x 330 mm
~ 99 x 31,5 x 13 in



107kg / 236lbs



Delivery Box Dimensions/Weight Ceramic

- ❖ 2520 x 800 x 330 mm
~ 99 x 31,5 x 13 in



59kg / 130lbs

